

# CPS LED LIGHTING

## PRODUCT ORDERING GUIDE: CP SERIES

COMMERCIAL DOWNLIGHT

SAMPLE:  
CPS-CP-6-15W-40T-RT



BASE MODEL:

CP

APERTURE

- 4"  
 6"  
 8" (Only for round trim)  
 10" (Only for round trim)

DIMMING

D - 0-10V (12%-100%)

WATTAGE

- 10W  
 15W  
 20W  
 40W

CCT ADJUSTABLE

- 30E - 3000K  
 35E - 3500K  
 40E - 4000K  
 50E - 5000K  
 35T - CCT ADJUSTABLE  
 40T - CCT ADJUSTABLE

TUNABLE/ADJUSTABLE

- 3000K  
3500K  
4000K  
5000K

TRIM SHAPE

- ROUND TRIM (RT)  
 SQUARE TRIM (ST)  
 ROUND WALL WASH TRIM (RwT)  
 SQUARE WALL WASH TRIM (SwT)

OPTIONAL MOUNTING KIT

- 4" NEW CONSTRUCTION FRAME KIT  
 6" NEW CONSTRUCTION FRAME KIT  
 8" NEW CONSTRUCTION FRAME KIT  
 10" NEW CONSTRUCTION FRAME KIT



CPS LED LIGHTING

843-407-6803

SALES@CPSLED.COM

WWW.CPSLED.COM

# CPS LED LIGHTING

## Commercial Downlight: CP Series



### GENERAL CHARACTERISTICS

Color temperature	3000K/4000K/5000K
Input voltage	AC120-277/ 50/60Hz
Lumens	750-3200 LM
Lumen efficiency	75-80 LM/W
Waterproof rating	uCLus for damp location
CRI	>80
PFC	>0.9
THD	<20%
Driver	Class 2 high efficiency driver
Mounting	Durable tension clips for fast and easy flush installation
Application	Indoor
L70 Life	Projected 35,000/50,000 hours
Warranty	7 years

### TECHNICAL SPECIFICATIONS

Model No.	CP	CP	CP	CP	CP
Input power	10W	15W	20W	20W	40W
Type	IC	IC	NON-IC	IC	NON-IC
Trim Options	4", 6", 8", 10"	4", 6", 8", 10"	4", 6", 8", 10"	4", 6", 8", 10"	4", 6", 8", 10"
Efficacy	75 LM/W	75 LM/W	75 LM/W	80 LM/W	80 LM/W
Luminous Flux	750 LM	1125 LM	1500 LM	1600 LM	3200 LM
1-10V Dimming	✓	✓	✓	✓	✓
120-347VAC Input	✓	✓	✓	✓	✓
110-277VAC Input Option*	✓	✓	✓	N/A	✓
CCT Adjustable Option	3000K, 4000K, 5000K	3000K, 4000K, 5000K	3000K, 4000K, 5000K	3000K, 4000K, 5000K	3000K, 4000K, 5000K
Wattage Adjustable Option	N/A	N/A	N/A	N/A	27W, 34W, 40W
Lifespan	35,000 hrs	35,000 hrs	35,000 hrs	50,000 hrs	50,000 hrs
UL/CUL	✓	✓	✓	✓	✓
Energy Star	4", 6", 8"	4", 6", 8"	4", 6", 8"	4", 6", 8", 10"	4", 6", 8", 10"

\*110-277VAC version has not 1-10V dimming, CCT adjustable and wattage adjustable functions.  
All efficacy is 15% base on different CCT and trim size. Check the IES file to gain the accurate data.



**CPS LED LIGHTING**

843-407-6803

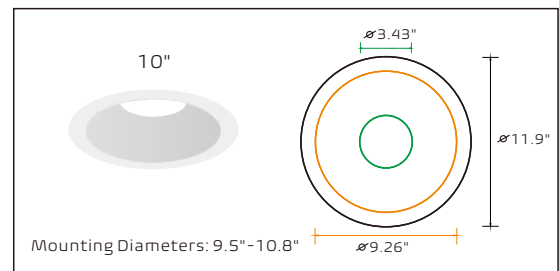
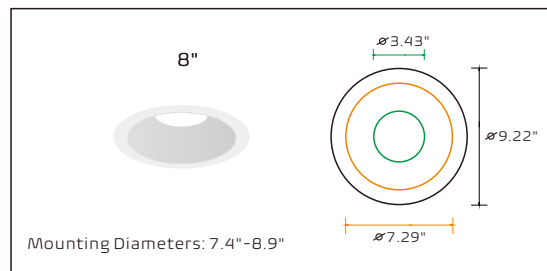
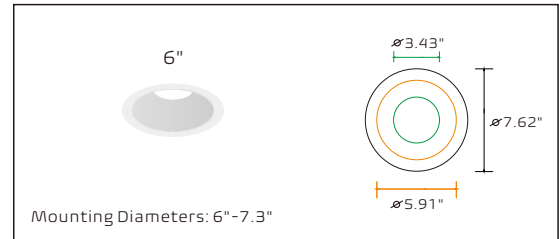
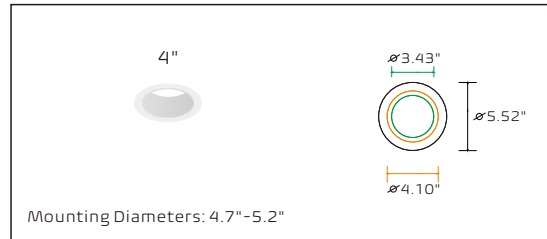
SALES@CPSLED.COM

WWW.CPSLED.COM

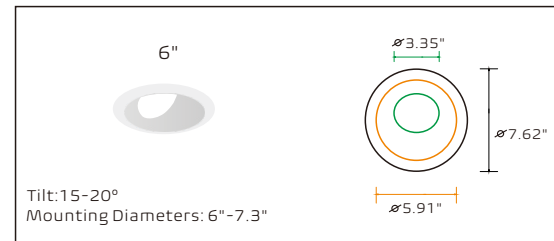
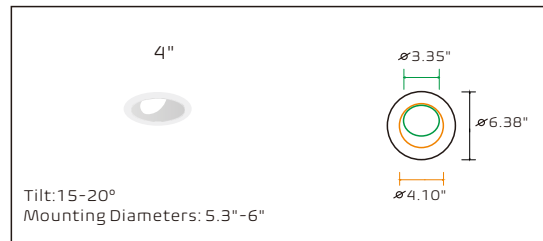
# CPS LED LIGHTING

## Dimension

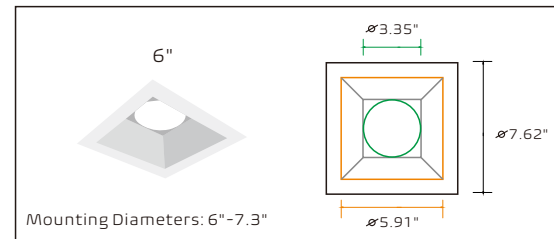
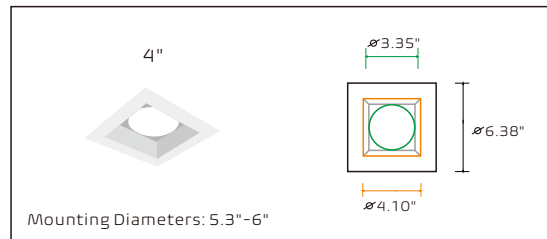
### Round Trims



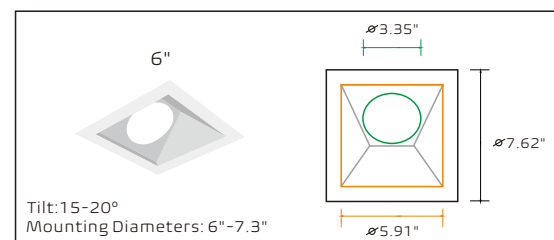
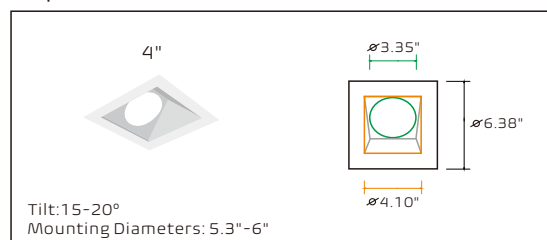
### Round Wall Wash Trims



### Square Trims



### Square Wall Wash Trims



CPS LED LIGHTING

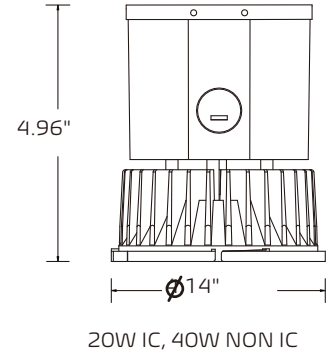
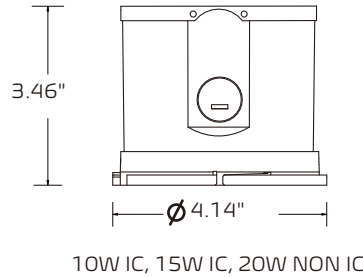
843-407-6803

SALES@CPSLED.COM

WWW.CPSLED.COM

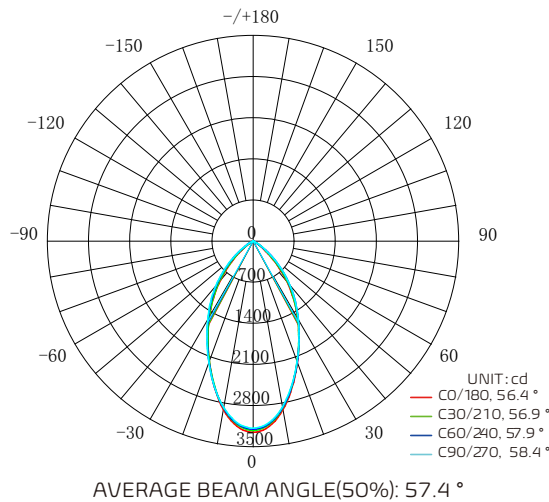
# CPS LED LIGHTING

## Engine

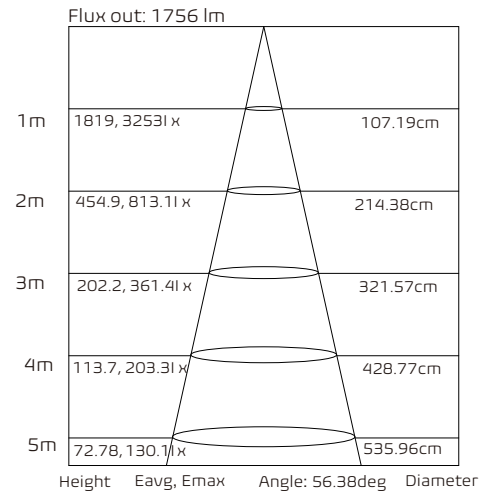


## Photometric 6" 40W Round Trim

### Distribution Diagram

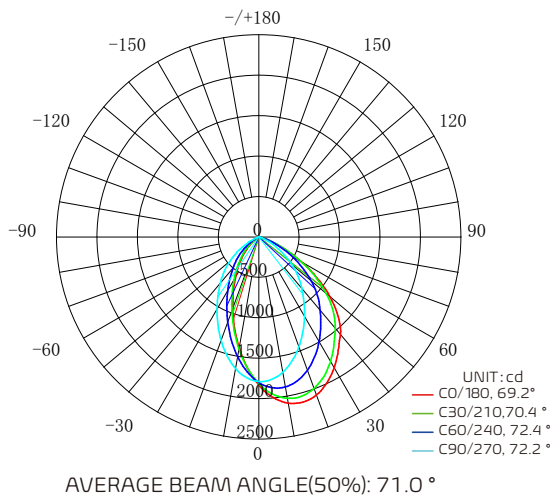


### Average Illuminance Curve

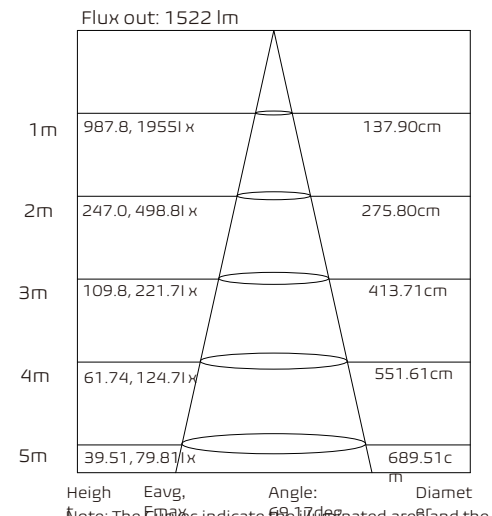


## 6" 40W Round Wall Wash

### Distribution Diagram



### Average Illuminance Curve

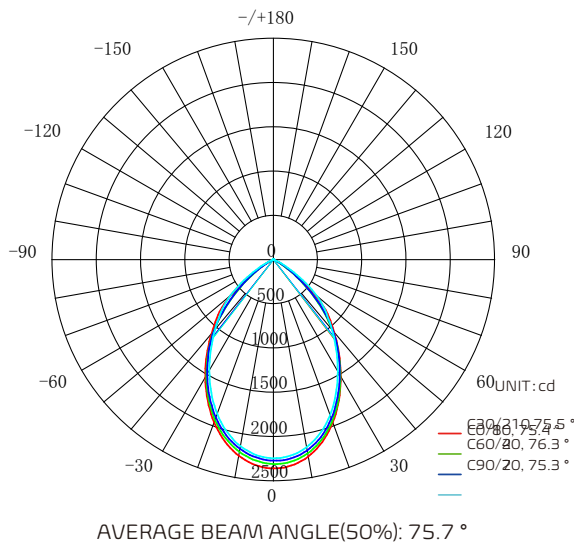


**CPS LED LIGHTING**  
 843-407-6803  
 SALES@CPSLED.COM  
 WWW.CPSLED.COM

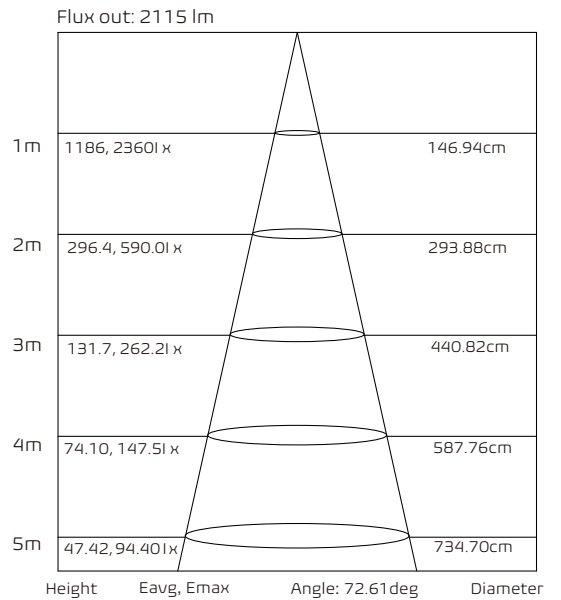
# CPS LED LIGHTING

## 6" 40W Square Trim

Distribution Diagram

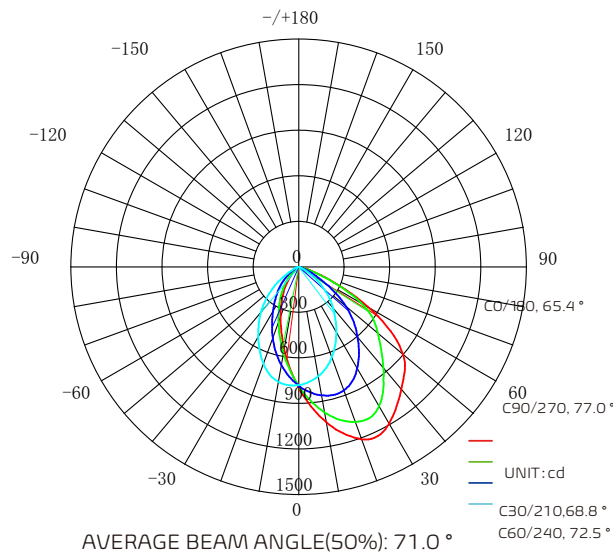


Average Illuminance Curve

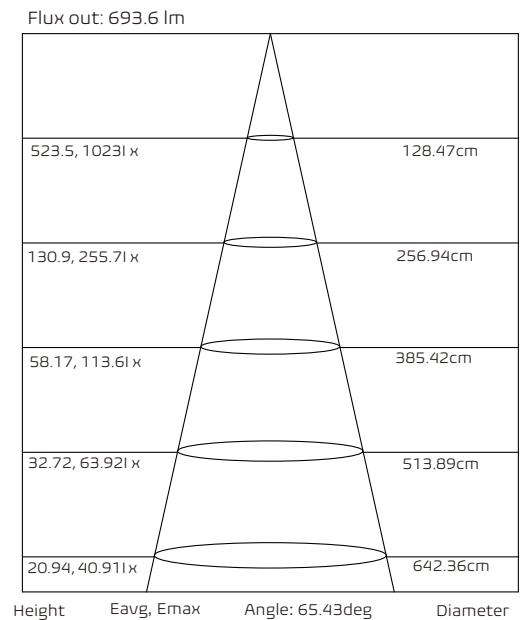


## 6" 40W Square Wall Wash

Distribution Diagram



Average Illuminance Curve



CPS LED LIGHTING

843-407-6803

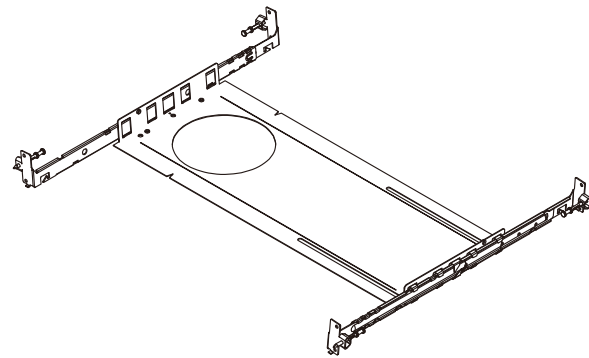
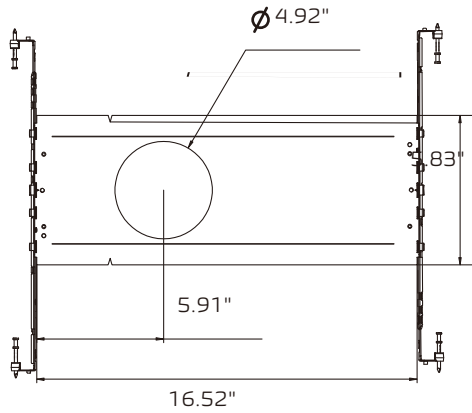
SALES@CPSLED.COM

WWW.CPSLED.COM

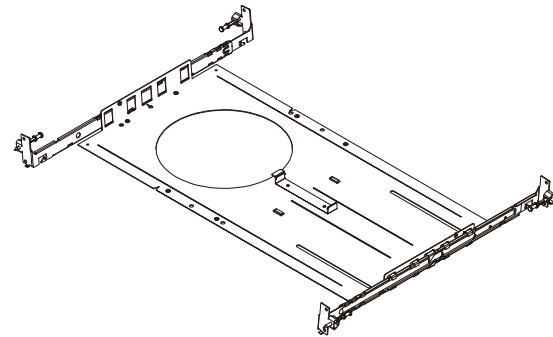
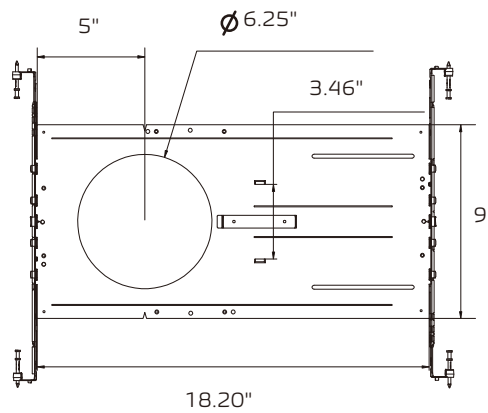
# CPS LED LIGHTING

## Optional New Construction Frame Kits

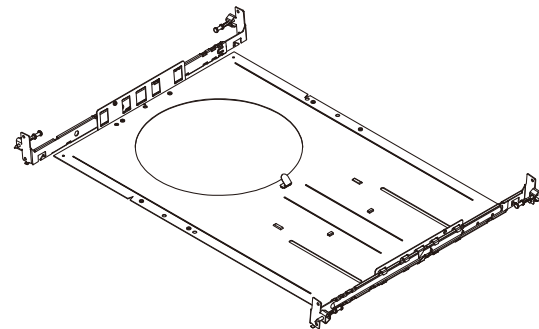
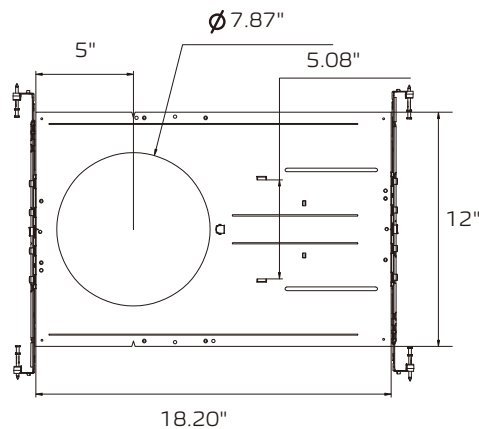
4"



6"



8"



CPS LED LIGHTING

843-407-6803

SALES@CPSLED.COM

WWW.CPSLED.COM